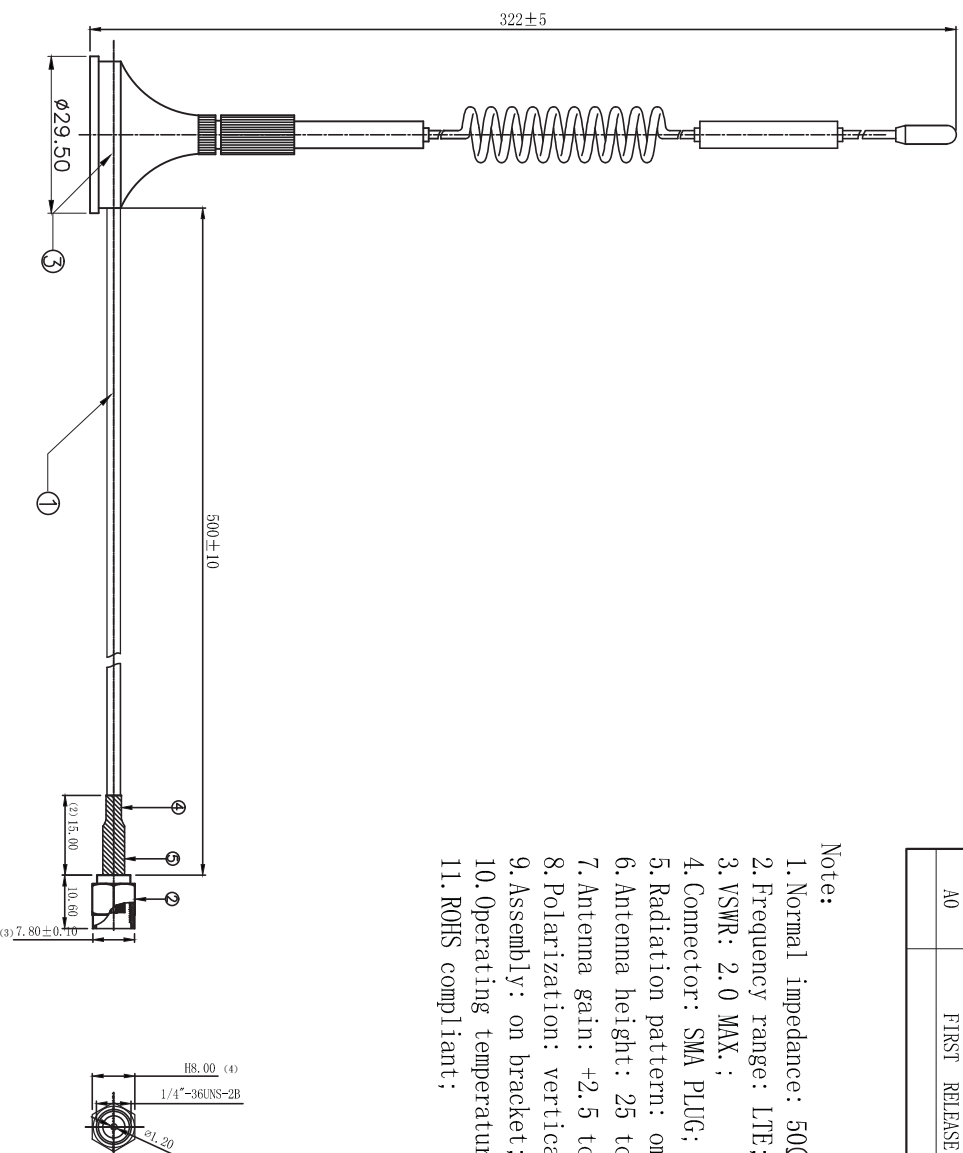


REVISION	DESCRIPTION	DATE	DRAFTER
A0	FIRST RELEASE	17. 11. 30	FUYONG. LIU

- Note:
1. Normal impedance: 50Ω;
 2. Frequency range: LTE;
 3. VSWR: 2.0 MAX.;
 4. Connector: SMA PLUG;
 5. Radiation pattern: omnidirectional;
 6. Antenna height: 25 to 65 cm;
 7. Antenna gain: +2.5 to 3.0 dBi min (peak);
 8. Polarization: vertical;
 9. Assembly: on bracket;
 10. Operating temperature: -30° C to +90° C;
 11. ROHS compliant;



No.	PART NUMBER	PART NAME & DESCRIPTION	Q'TY	REMARKS
4	-	003. 50*20mm黑色硅胶热缩管收缩比例为2:1	1	---
3	-	天线组件, 433MHz吸盘天线组件	1	---
2	-	SMA公头母针, 表面镀金	1	---
1	-	CABLE, RG174黑色芯线, L=3050mm	1	---

COMPLIANCE WITH THE REQUIREMENT: RoHS; HF; SONY SS-00259; OTHERS
 *NO USING ESTRICATED AND BANNED SUBSTANCE

GENERAL TOLERANCE:

LINEAR:	
X	±0.20
X.X	±0.15
X.XX	±0.05
X.XXX	±0.01

ANG.L:

X°	±4.00°
X.X°	±3.00°
X.XX°	±2.00°
X.XXX°	±1.00°

		东莞市涪程电子科技有限公司	
FILE NAME:	产品图	TITLE:	4G吸盘天线
ENG/DATE:	FUYONG. LIU/17. 11. 20	P/N:	RG174黑色线焊SMA公头母针+吸盘天线组件 L=3M
CHE/DATE:		P/N:	313503-3MC2-1R
APP/DATE:		UNIT:	mm
		SCALE:	1:1
		REVISION:	A0
		SHEET:	1/1